



**FONROCHE**  
lighting

*Integrated Solar  
Street Light*

**SMARTLIGHT SINGLE  
ROADFOCUS RFS**  
*HW-MC MOUNT*



**Project:**

**Notes:**

Fixture	Temp	Type	Color (fixture)	HS	Solar-Mount	Option	Power Center	Tilt	Pole	Color (Pole)
						HW-MC				

**zero**

Trenching and  
Wiring Expense

**zero**

Emmissions and  
Electric Bills

**zero**

Maintenance for 10  
or More Years

The SmartLight solar powered street lighting system rivals traditional grid-tied light poles with infrastructure grade lighting, low maintenance and avoided installation costs. The advanced 365 Power Center features advanced NiMH battery technology and anti-blackout controls. The result is a sleek profile, 10-year battery life and a great value proposition.



**Solar Assembly**

- Black Tie panel backing creates a finished appearance and disappears in the night sky
- Steel powder coated mounting
- 140W to 305W solar power



**Power 365 Assembly**

- Components are pre-wired inside of the sealed compartment
- Activated with two weather tight connections for true plug-and-play installation
- Extreme enviornment batteries deliver 365 nights of lighting for 10 or more years



**RFS Luminaire**

- Dark Sky Friendly Options
- 5 Distribution Types
- 35W or 72W Options
- Integrated Bubble Level

Note: Illustrated Arm Style by special order only

Fonroche Lighting America  
220 Reservoir St. #19  
Needham, MA 02494

Datasheet-SmartLight Single HW-RFS-08122020

**SolarOne**  
A FONROCHE LIGHTING BRAND

# RFS SmartLight Single-HW-MC



## Specifications

LUMINAIRE PRODUCT CODE	COLOR TEMP	DISTRIBUTION	COLOR	HOUSE SIDE SHIELD OPTION	WEIGHT LBS	EPA Ft²
RFS-35W16LED	2.7K, 3K,4K	R2M,R2S,R3M,R3S,T4,T5	BK-Black	HS (16LED) / 2 HS (32LED)	9.4	0.52
RFS-75W32LED	2.7K, 3K,4K	R2M,R2S,R3M,R3S,T4,T5	BK-Black	2 HS (32LED)	9.4	0.52

SOLAR MODULE ASSEMBLY PRODUCT CODE / DESCRIPTION	DIMENSIONS SOLAR MODULE	MODULE FRAME & BACK SHEET	PERFORMANCE WARRANTY
<b>P140F-T1-HW-MC</b> 140W PolyCrystalline Solar Module with Heavy Duty Galvanized Steel Mount - Marine grade powder coat - Tilt Adjustment (0,10,20 or 45 Degree)	43.31 x 33.46 x 1.57	Black	25 Years
<b>P260F-T3-HW-MC</b> 260W PolyCrystalline Solar Module with Heavy Duty Galvanized Steel Mount - Marine grade powder coat - Tilt Adjustment (0,10,20 or 45 Degree)	66.93 x 40.55 x 1.81	Black	25 Years
<b>P305F-T4-HW-MC</b> 305W PolyCrystalline Solar Module with Heavy Duty Galvanized Steel Mount - Marine grade powder coat - Tilt Adjustment (0,10,20 or 45 Degree)	66.93 x 42.13 x 1.57	Black	25 Years

POWER 365 ASSEMBLY PRODUCT CODE / DESCRIPTION
<b>1P</b> Power 365 Power Center with 312Wh NiMH Battery Capacity -IP65
<b>2P</b> Power 365 Power Center with 624 Wh NiMH Battery Capacity-IP65
<b>3P</b> Power 365 Power Center with 936 Wh NiMH Battery Capacity-IP65
<b>4P</b> Power 365 Power Center with 1248 Wh NiMH Battery Capacity-IP65

BATTERIES	
Chemistry	Nickel Metal Hydride
Operating Temperature	-40°C to +70°C
Warranty	5 Year Full Replacement
Certifications	EN 550 14-1 ; EN 55014-2 ; EN 61000-6-2 ; EN 61000-6-3

CONTROLLER
<b>Battery Management System (BMS)</b>
Anti-Black Out Control
Real Time Scheduling Option
3-Level Programmable Lighting Profiles
LoRa Enabled for Wireless Network*

TOTAL TOP OF POLE ASSEMBLY -PANEL, MOUNTING, 365 POWER CENTER	Weight - (Pounds)				EPA (Sq.Ft.)		
	1P	2P	3P	4P	10° Tilt	20° Tilt	45° Tilt
P140F-T1-HW-MC	102.73	113.31	123.89	134.48	2.67	3.89	7.45
P260F-T3-HW-MC	120.37	130.95	141.53	152.12	4.48	7.24	13.93
P305F-T4-HW-MC	120.37	130.95	141.53	152.12	4.48	7.38	14.36

\* Requires Fonroche Connect Gateway-See SolarOne for Details

POLE ASSEMBLIES	RATED FOR MINIMUM 100MPH (DEPENDING ON TILT AND POWER CENTER SPECIFICATION)
RTA-14D-7B4-1S2C	Round tapered aluminum 14' x 7" x .188 wall, tenon top, with 2' Slipfit arm assembly and solar mounting provisions (15'-5" MH)
RTA-20E-8B4-1S2C	Round tapered aluminum 20' x 8" x .219 wall, tenon top, with 2' Slipfit arm assembly and solar mounting provisions (21'-5" MH)
RTA-25F-9B4-1S2C	Round tapered aluminum 25' x 9" x .250 wall, tenon top, with 2' Slipfit arm assembly and solar mounting provisions (26'-5" MH)
RTA-25F-9B4-1S6A	Round tapered aluminum 25' x 9" x .250 wall, tenon top, with 6' Slipfit arm assembly and solar mounting provisions (26'-8" MH)

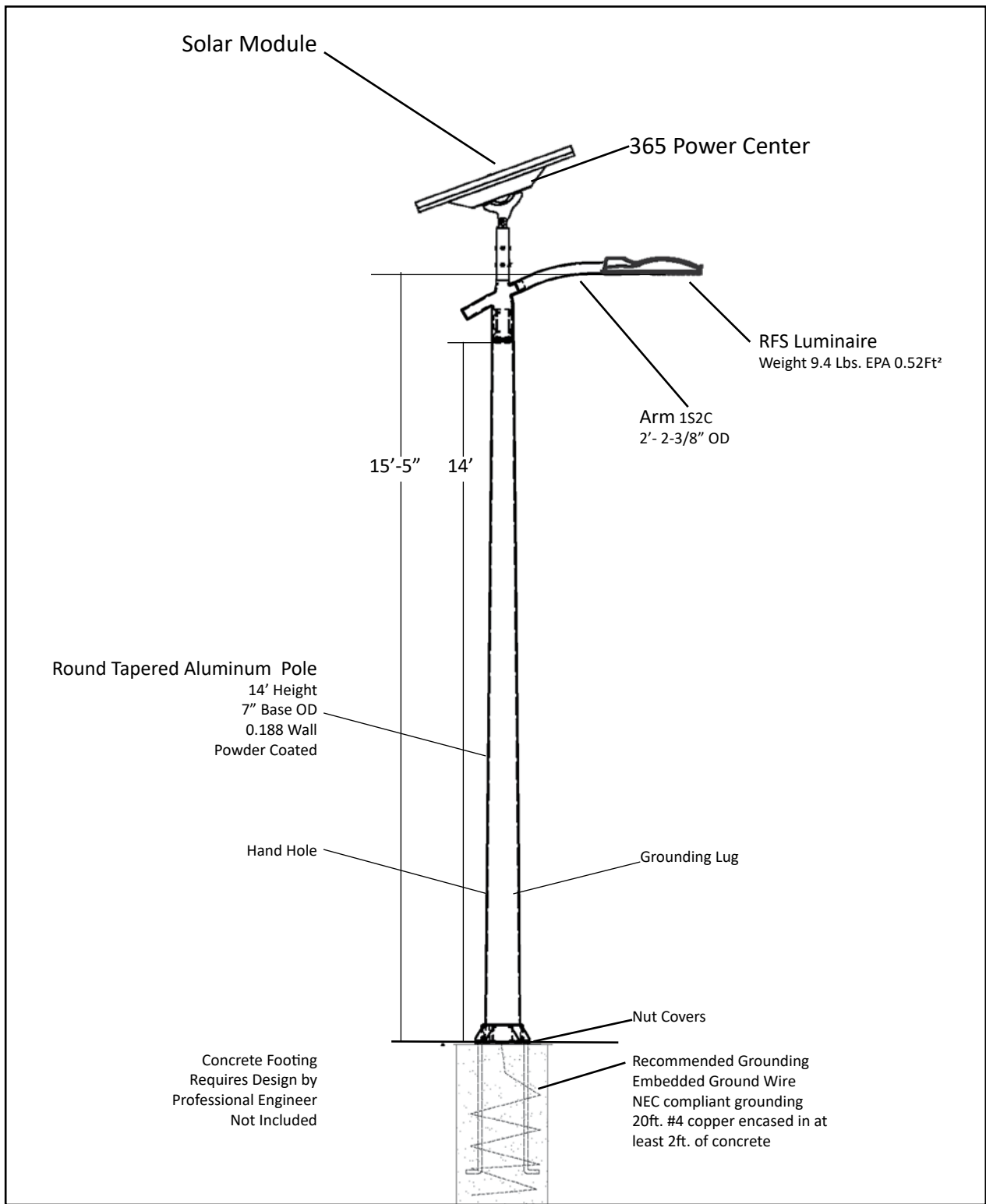
System	
System Warranty	5 Years
System Certification	CE



## Ordering Selections

Fixture	Temp	Type	Color (Fixture)	HS	Solar-Mount	Option	Power Center	Tilt	Pole	Color (Pole)
-	-	-	-	-	-	- HW-MC -	-	-	-	-



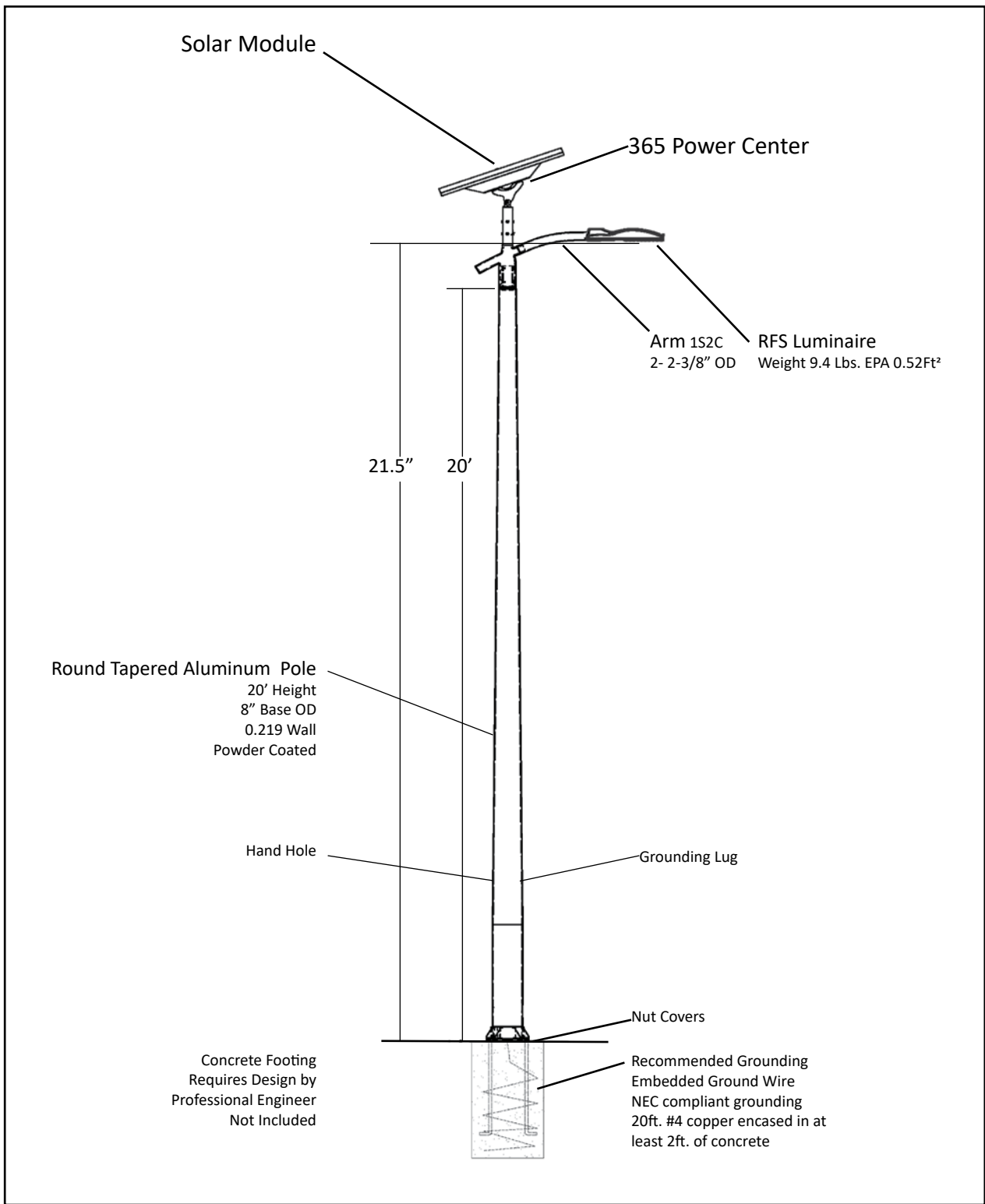


TOTAL TOP OF POLE ASSEMBLY - PANEL, MOUNTING, 365 POWER CENTER								
Solar Assembly	Weight - (Pounds)				EPA (Sq.Ft.)			
	1P	2P	3P	4P	10° Tilt	20° Tilt	45° Tilt	
P140F-T1-HW-MC	102.73	113.31	123.89	134.48	2.67	3.89	7.45	
P260F-T3-HW-MC	120.37	130.95	141.53	152.12	4.48	7.24	13.93	
P305F-T4-HW-MC	120.37	130.95	141.53	152.12	4.48	7.38	14.36	



### Ordering Selections

Fixture	Temp	Type	Color (Fixture)	HS	Solar-Mount	Option	Power Center	Tilt	Pole	Color (Pole)
-	-	-	-	-	-	- HW-MC -	-	-	-	-

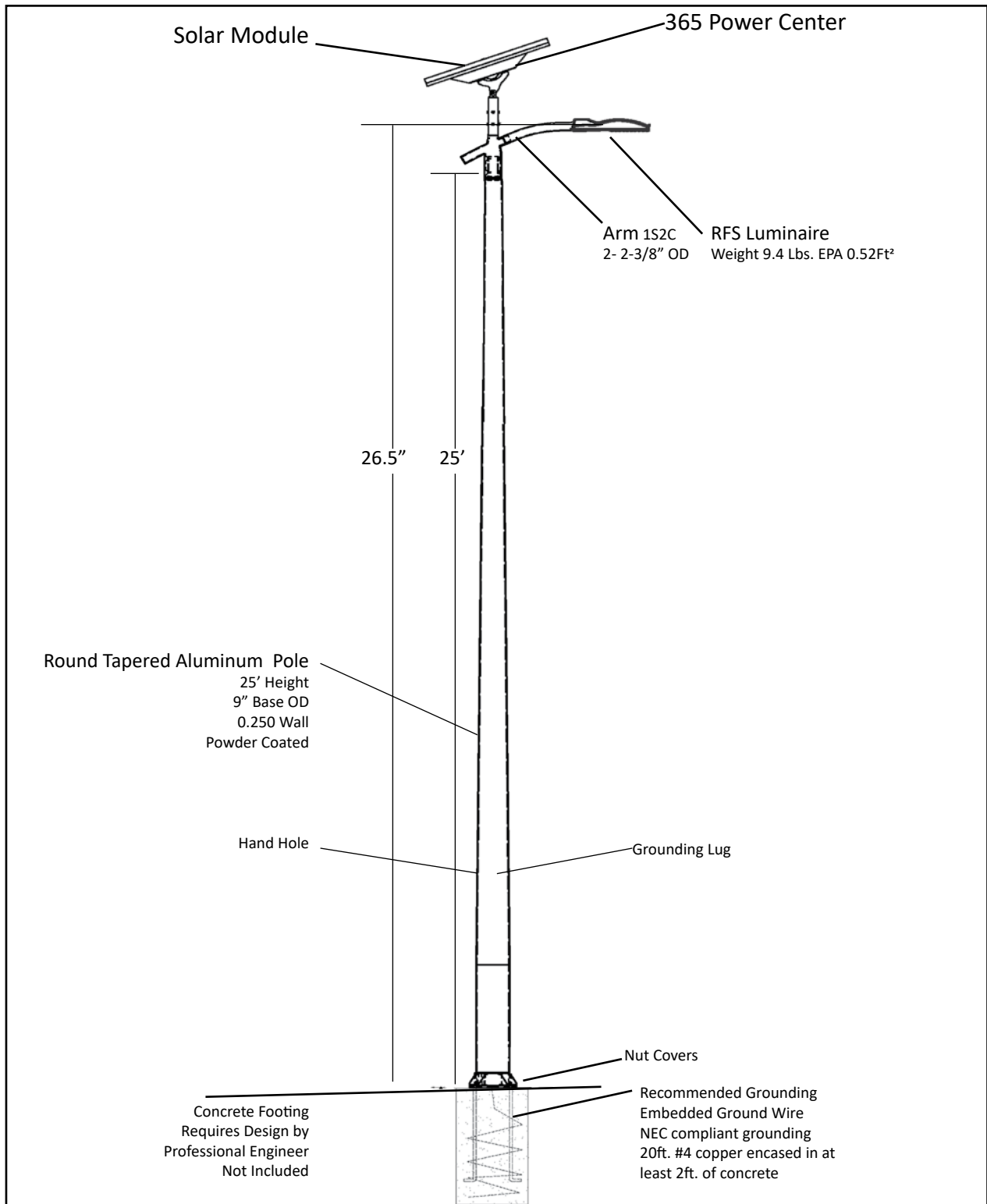


TOTAL TOP OF POLE ASSEMBLY - PANEL, MOUNTING, 365 POWER CENTER								
Solar Assembly	Weight - (Pounds)				EPA (Sq.Ft.)			
	1P	2P	3P	4P	10° Tilt	20° Tilt	45° Tilt	
P140F-T1-HW-MC	102.73	113.31	123.89	134.48	2.67	3.89	7.45	
P260F-T3-HW-MC	120.37	130.95	141.53	152.12	4.48	7.24	13.93	
P305F-T4-HW-MC	120.37	130.95	141.53	152.12	4.48	7.38	14.36	



### Ordering Selections

Fixture	Temp	Type	Color (Fixture)	HS	Solar-Mount	Option	Power Center	Tilt	Pole	Color (Pole)
-	-	-	-	-	-	- HW-MC -	-	-	-	-



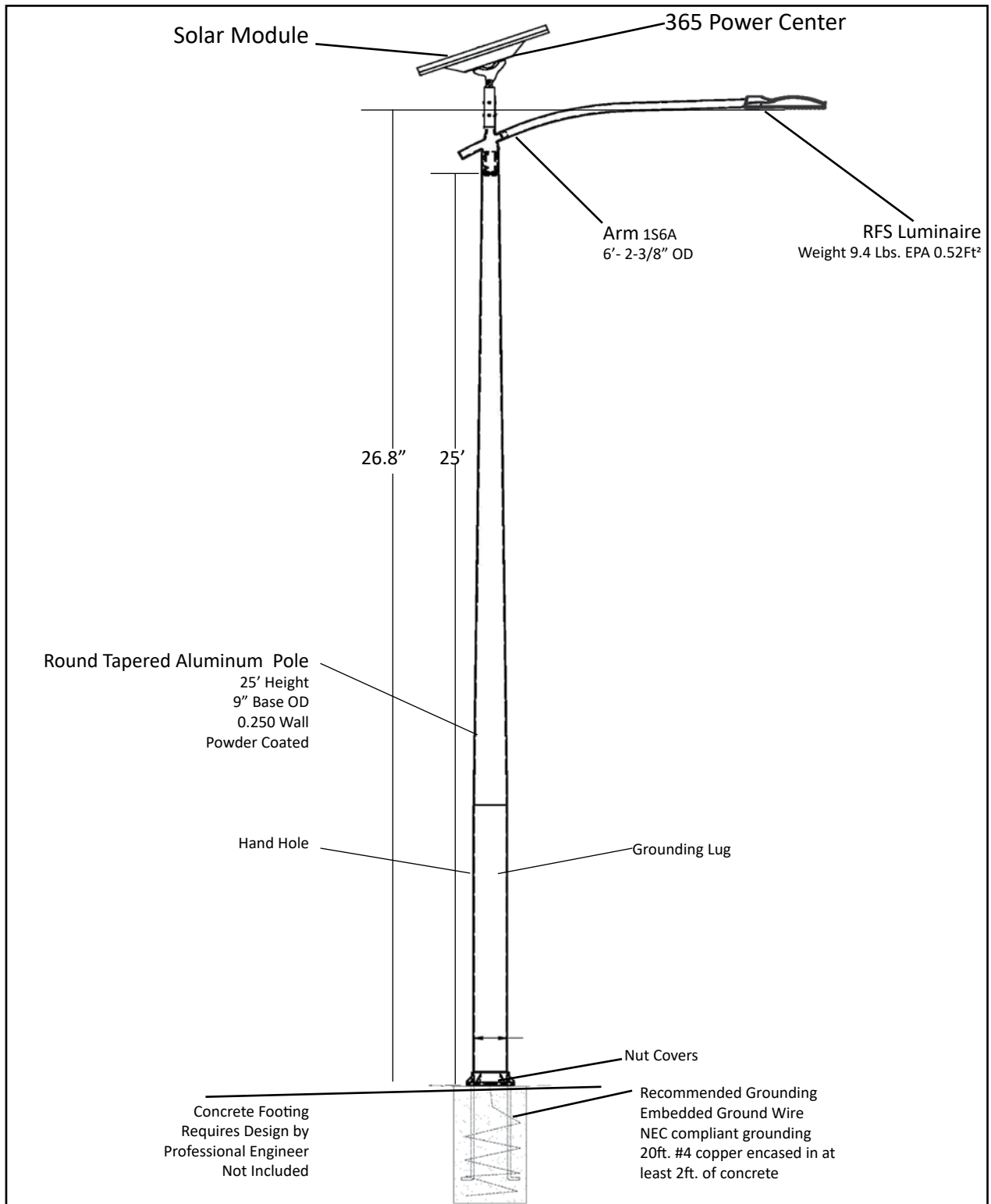
TOTAL TOP OF POLE ASSEMBLY - PANEL, MOUNTING, 365 POWER CENTER

Solar Assembly	Weight - (Pounds)				EPA (Sq.Ft.)		
	1P	2P	3P	4P	10° Tilt	20° Tilt	45° Tilt
P140F-T1-HW-MC	102.73	113.31	123.89	134.48	2.67	3.89	7.45
P260F-T3-HW-MC	120.37	130.95	141.53	152.12	4.48	7.24	13.93
P305F-T4-HW-MC	120.37	130.95	141.53	152.12	4.48	7.38	14.36

  
**FONROCHE**  
 lighting  
 25' Pole-2' Arm

Ordering Selections

-	-	-	-	-	-	- HW-MC -	-	-	-	-
Fixture	Temp	Type	Color (Fixture)	HS	Solar-Mount	Option	Power Center	Tilt	Pole	Color (Pole)



**TOTAL TOP OF POLE ASSEMBLY - PANEL, MOUNTING, 365 POWER CENTER**

Solar Assembly	Weight - (Pounds)				EPA (Sq.Ft.)		
	1P	2P	3P	4P	10° Tilt	20° Tilt	45° Tilt
P140F-T1-HW-MC	102.73	113.31	123.89	134.48	2.67	3.89	7.45
P260F-T3-HW-MC	120.37	130.95	141.53	152.12	4.48	7.24	13.93
P305F-T4-HW-MC	120.37	130.95	141.53	152.12	4.48	7.38	14.36

  
**FONROCHE**  
 lighting  
 25' Pole-6' Arm

**Ordering Selections**

-	-	-	-	-	-	- HW-MC -	-	-	-	-
Fixture	Temp	Type	Color (Fixture)	HS	Solar-Mount	Option	Power Center	Tilt	Pole	Color (Pole)