



FONROCHE
lighting AMERICA

Autonomous Solar
Bollard

Brut

Elemental And Robust

With its decarbonized concrete body, the BRUT BOLLARD blends naturally into urban environments. Its dual function of lighting and beaconing makes it ideal for soft mobility areas and public spaces.

Available in two distinct finishes, it combines performance, durability, and aesthetic versatility.



No Cost

No Trenching Cost,
Zero Electric Bills, Zero
Maintenance for 10 Years



RGB

LED RGB Marking



365

Nights of lighting
per year guaranteed



5 Years

Parts & Labor Warranty
Including Energy Box
with No Pro Rating



PHOTOVOLTAIC MODULE

Photovoltaic Module	2
Nominal Power (WP)	52 Wp
Cell Technology	Monocrystalline
Cell Type	Sunpower Back Contact
Lifespan	> 25 years
PV Surface Area	1.36 ft per panel
Material and Finish	ETFE - Anti-Abrasion - Anti-Graffiti - Anti Vandalism

BATTERY

Chemistry	LiFePO4 (Lithium Iron Phosphate)
Nominal voltage [V]	9.6 V
Capacity [Ah]	7.7 Ah
Energy [Wh]	76.8Wh
Charge Cycles	8000 cycles at 55% DOD
Waterproofing	Battery and board are waterproof and submersible
Lifetime	15 years

LUMINAIRE

Nominal Power & Luminous Efficacy	5 W - 170lm/W @ 3000k
Color temperature	Amber 2200K - 2700K - 3000K
Photometric Distribution	Type I - Ultra wide
CRI	>70
Luminaire Material	Solid machined and black anodized aluminum
Optical Material	Polycarbonate
Protection Rating (IP) - (IK)	IP66 - IK10
Dual Functionality	Lighting and RGB Marking
ULR	0

Lighting Profile

Lighting Profile	Adaptable throughout the night
------------------	--------------------------------

STRUCTURE

Dimensions (mm)	5.91" x 5.12" x 43.31"
Frame Material	Ultra-High Performance Fiber - Reinforced Concrete (UHPFRC) Water-repellent treatment
Base Plate Material	Galvanized Steel S235
Weight	81.57 lbs
Shock Resistance Index (IK)	IK10
Recommended Foundation Size (mm)	15.75" x 15.75" x 15.75"
Anchor Rod Dimensions	M14
Base Plate Dimensions (mm)	9.84" x 9.84"
Mounting Hole Spacing (mm)	7.874"

GENERAL

Minimum autonomy	365 nights a year
Functionality	Bluetooth
Fastness	Stainless Steel A2 - Tamper-proof
Presence Sensor	PIR (Infrared) - Optimal 180° detection

Project

Notes

Fixture Color

Color Temp

Optics Type

T1UW

Power Center

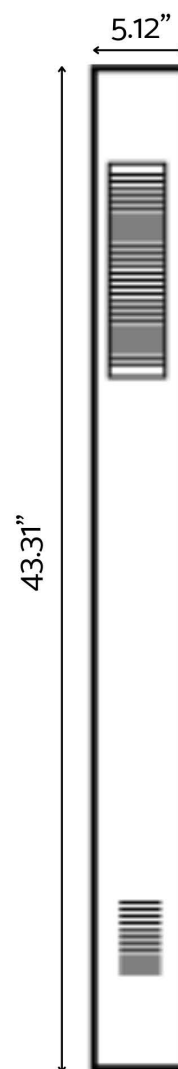
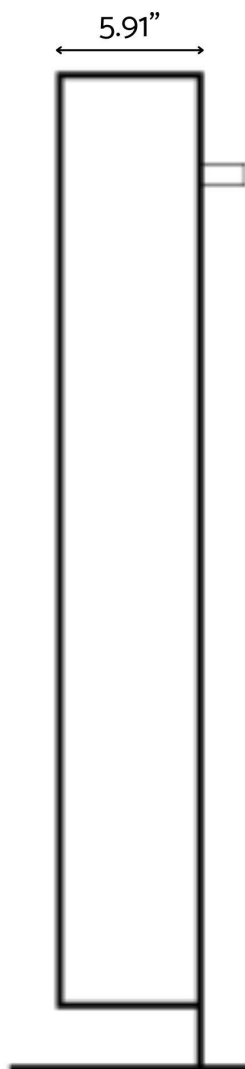
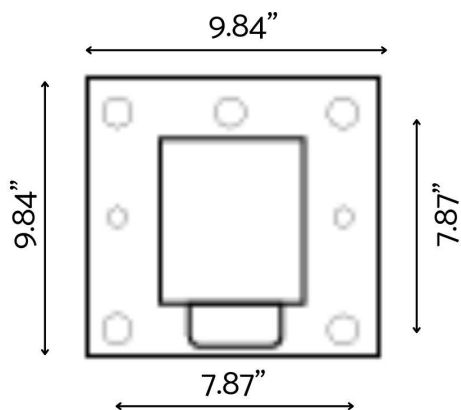
Panel Tilt

Lens Tilt

LiFePO4

90°

0°



Available in 2 colors



Starry Grey



Sandstorm