



**FONROCHE**  
lighting AMERICA

Autonomous Solar  
Bollard

# Follow L



## Elegance And Performance

Designed as a true lighting feature, the FOLLOW L BOLLARD showcases a style that is both understated and contemporary. Its vertical silhouette and geometric lines allow it to integrate naturally into a wide range of environments with elegance. Available in a selection of subtle, architectural-inspired tones.



**No Cost**

No Trenching Cost,  
Zero Electric Bills, Zero  
Maintenance for 10 Years



**RGB**

LED RGB Marking



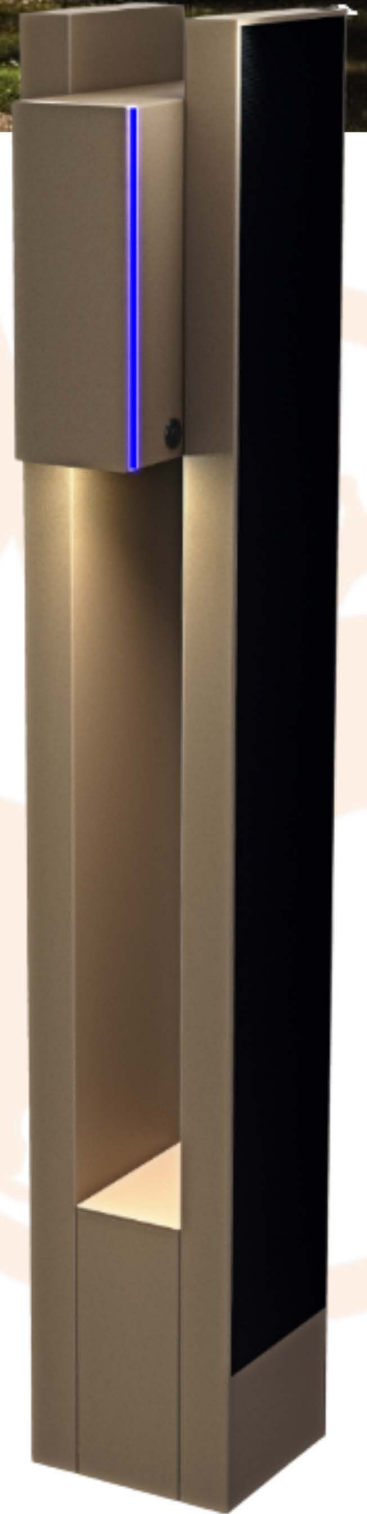
**365**

Nights of lighting  
per year guaranteed



**5 Years**

Parts & Labor Warranty  
Including Energy Box  
with No Pro Rating



### PHOTOVOLTAIC MODULE

Photovoltaic Module	2
Nominal Power (WP)	64 Wp
Cell Technology	Monocrystalline
Cell Type	Sunpower Back Contact
Lifespan	> 25 years
PV Surface Area	1.57ft per panel
Material and Finish	ETFE - Anti-Abrasion - Anti-Graffiti - Anti Vandalism

### BATTERY

Chemistry	LiFePO4 (Lithium Iron Phosphate)
Nominal voltage [V]	9.6 V
Capacity [Ah]	7.7 Ah
Energy [Wh]	76.8Wh
Charge Cycles	8000 cycles at 55% DOD
Waterproofing	Battery and board are waterproof and submersible
Lifetime	15 years

### LUMINAIRE

Nominal Power & Luminous Efficacy	5 W - 170lm/W @ 3000k
Color temperature	Amber 2200K - 2700K - 3000K
Photometric Distribution	Type I - Ultra wide
CRI	>70
Luminaire Material	Powder-coated aluminum profile
Optical Material	Polycarbonate
Protection Rating (IP) - (IK)	IP66 - IK10
Dual Functionality	Lighting and RGB Marking
ULR	0

### Lighting Profile

Lighting Profile	Adaptable throughout the night
------------------	--------------------------------

### STRUCTURE

Dimensions (mm)	6.9 x 10.3 x 43.5"
Frame Material	Extruded aluminum EN AW 6060 T6
Base Plate Material	Galvanized Steel S235
Weight	46.3 lbs
Shock Resistance Index (IK)	IK10
Recommended Foundation Size (mm)	15.75" x 15.75" x 15.75"
Anchor Rod Dimensions	M14
Base Plate Dimensions (mm)	9.84" x 9.84"
Mounting Hole Spacing (mm)	7.874"
Painting	Polyester powder coating finish - QualiCoat Class 2 High durability

### GENERAL

Minimum autonomy	365 nights a year
Functionality	Bluetooth
Fastness	Stainless Steel A2 - Tamper-proof
Presence Sensor	PIR (Infrared) - Optimal 180° detection

**Project**

**Notes**

Fixture Color

Color Temp

Optics Type

**T1UW**

Power Center

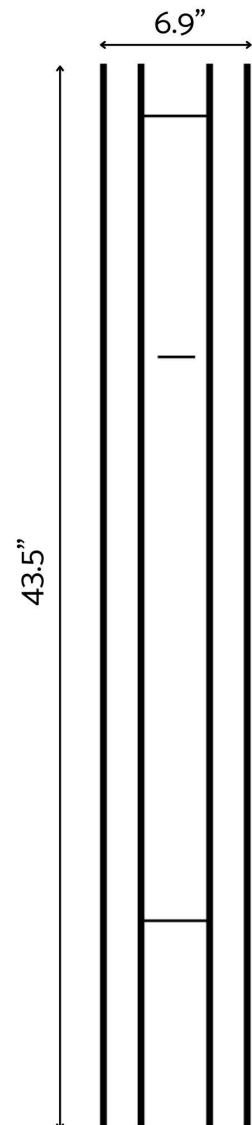
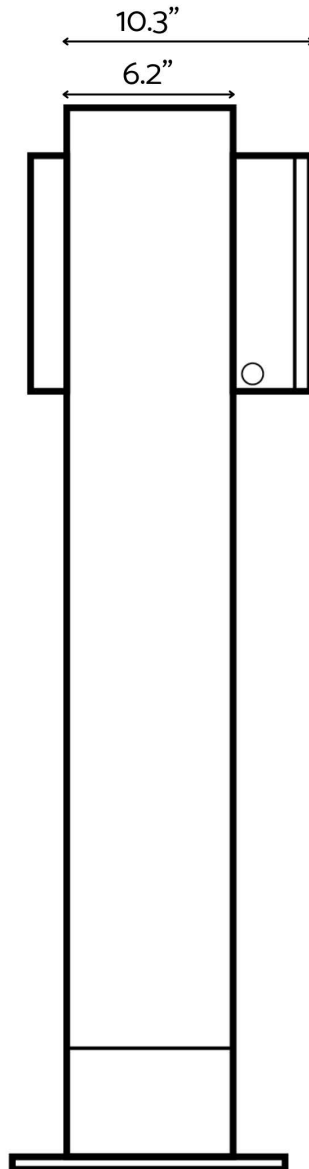
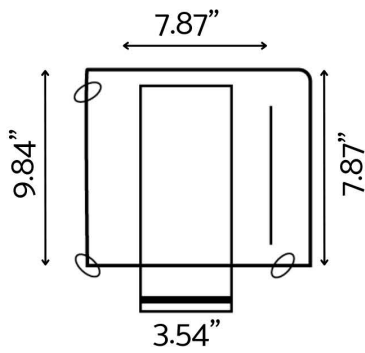
Panel Tilt

Lens Tilt

**LiFePO4**

**90°**

**0°**



Available in 7 colors



Titanium Sheen



Oxide Earth



Golden Sand



Green Canopy



Stone Glow



Concrete Mist



Black Shadow

\*Lead time for certain colorways may vary